

# Solar Powered ICAO Low Intensity Obstruction Light Type A

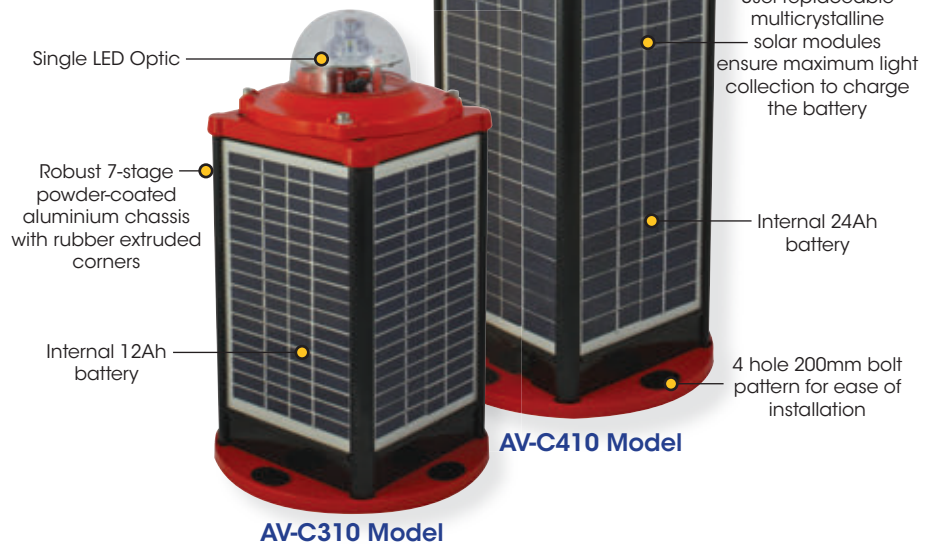
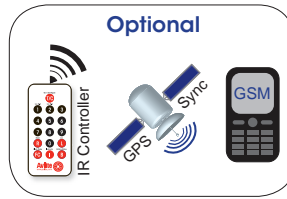
AV-C310 & AV-C410

## Features

- Integrated solar/battery system
- User-replaceable solar modules
- IP68 waterproof rating
- Available in two power supply sizes to suit various locations
- Optional GSM Monitoring (AV-C410 model)

## Compliance

- Low Intensity Type A Obstruction Light, ICAO Annex 14 Volume 1, 'Aerodrome Design and Operations', Fourth edition July 2004, table 6.3



**Avlite's Solar powered ICAO LIOL Type A is a robust, completely self-contained solar powered LED obstruction light.**

The AV-C310 model has four 3 watt (12watt total) premium-grade solar modules integrated into the solar chassis, and mounted to collect sunlight at all angles. The AV-C410 model has four larger 5watt panels (20 watt total) for use in areas of lower sunlight to maximise solar collection.

The solar array charges an internal battery during daylight hours, and at dusk the light will automatically begin operation.

The rugged design of this self-contained light ensures up to 12 years of reliable service with minimal ongoing maintenance. Specifically designed for the harshest of environments, this light features a 7-stage, powder-coated aluminium top, base and internal chassis in high visibility colors for daytime recognition. The rubber, extruded corners provide additional impact resistance.

The advanced light optic uses a single power LED. The tough polycarbonate aviation lens is specifically designed for use with LEDs to maximize light intensity and uniformity. The light optic is interchangeable between units, and can be replaced onsite in the unlikely event of damage.

The unit can be supplied in varying color outputs to suit other applications including runway edge lighting. For military applications the unit is also available in infrared (IR).

### Optional External ON/OFF Switch & External Charging Port

These models can be fitted with an optional, external ON/OFF switch. The light can also be fitted with an optional external charging port for charging the battery while it is stored for extended periods.

### Optional GPS Synchronisation

Avlite has utilized the latest advancements in GPS technology to develop an internal synchronisation system that can be incorporated into the lights. Using overhead satellites, multiple obstruction lights set to the same flash pattern will flash in unison.

### Optional IR Remote Control

The IR remote is used to communicate with Avlite lighting products that have an IR sensor fitted. The remote control is used to control functions such as flash code and light intensity.

### Optional GSM Cell-Phone Monitoring & Control

The AV-C410 model is available with GSM Cell-Phone Monitoring enabling operators to remotely monitor the status of their aviation installations. The system can also be configured to send out alarm SMS text messages to designated cellular telephone numbers. Users can also have alarms and reports sent to designated email addresses.

# Solar Powered ICAO Low Intensity Obstruction Light Type A

AV-C310 & AV-C410

## SPECIFICATIONS \* \*

### Light Characteristics

Light Source  
Available colors  
  
Peak Intensity (cd) †  
Horizontal Output (degrees)  
Vertical Divergence (degrees)  
Reflector Type  
Available Flash Characteristics

Intensity Adjustments  
LED Life Expectancy (hours)

### Electrical Characteristics

Current Draw (mA)  
Circuit Protection  
Operating Voltage (V)  
Temperature Range

### Solar Characteristics

Solar Module Type  
Output (watts)  
Solar Module Efficiency (%)  
Charging Regulation

### Power Supply

Battery Type  
Battery Capacity (Ah)  
Nominal Voltage (V)  
Typical Autonomy (nights)  
Approx. daily kw/h to maintain full autonomy

### Physical Characteristics

Body Material  
Lens Material  
  
Lens Diameter (mm/inches)  
Lens Design  
Mounting  
Height (mm/inches)  
Width (mm/inches)  
Mass (kg/lbs)  
Product Life Expectancy

### Environmental Factors

Humidity  
Icing  
Wind Speed  
Shock  
  
Vibration

### Certifications

CE  
Quality Assurance  
ICAO  
Waterproof

### Intellectual Property

Trademarks

### Warranty \* \*

### Options Available

## AV-C310

As tested AV-OL-ILA-12-R LED  
Red as standard. Other colors available on request, including IR  
Complies with ICAO LIOLA 360  
+4 to +13  
Single LED Optic  
>250 including steady-on (user-adjustable)  
Adjustable in 25% increments >100,000

Steady-on: 39  
Integrated  
12  
-40 to 80°C

Multicrystalline  
12 (4 x 3watt)  
14  
Microprocessor controlled

SLA (Sealed Lead Acid)  
12  
12  
Steady-on: >20  
2.1

7-stage powder-coated aluminium  
LEXAN® Polycarbonate - UV stabilized  
107 / 4¼  
Single LED Optic  
4 x 17mm holes on 200mm PCD  
375 / 14¾  
233 / 9¼  
9.1 / 20  
Up to 12 years

0 to 100%, MIL-STD-810F  
22kg per square inch  
Up to 160kph  
MIL-STD-202G, Test Condition G, Method 213B  
MIL-STD202G, Test Condition B, Method 204

EN61000-6-3:1997, EN61000-6-1:1997  
ISO9001:2008  
Low Intensity Obstruction Light Type A IP68

AVLITE® is a registered trademark of Avlite Systems  
3 year warranty  
• IR Controller  
• GPS Synchronisation  
• IR LED  
• External ON/OFF Switch  
• External Battery Charging Port

## AV-C410

As tested AV-OL-ILA-12-R LED  
Red as standard. Other colors available on request, including IR  
Complies with ICAO LIOLA 360  
+4 to +13  
Single LED Optic  
>250 including steady-on (user-adjustable)  
Adjustable in 25% increments >100,000

Steady-on: 39  
Integrated  
12  
-40 to 80°C

Multicrystalline  
20 (4 x 5watt)  
14  
Microprocessor controlled

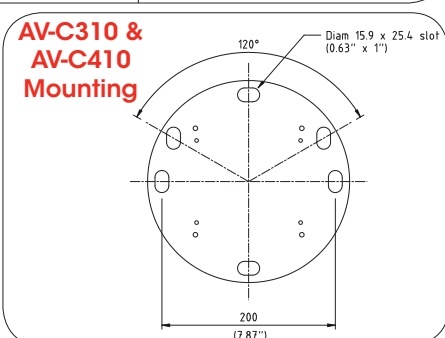
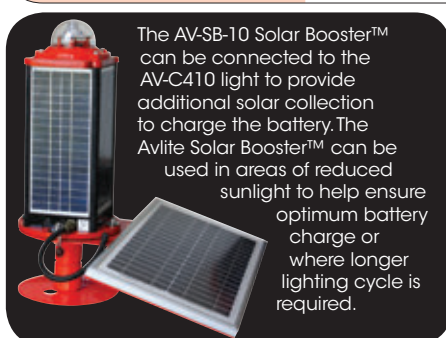
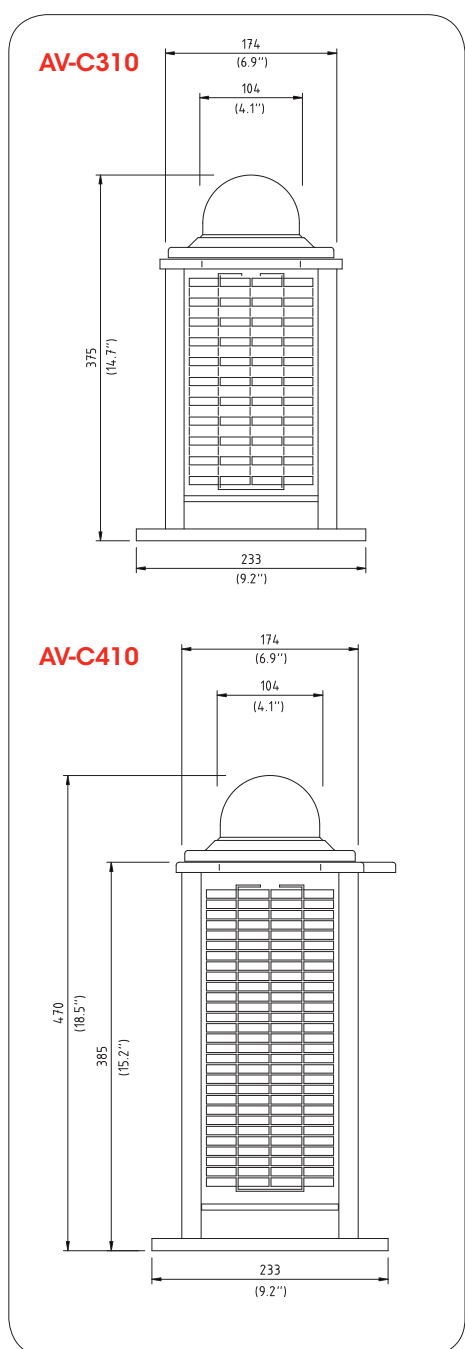
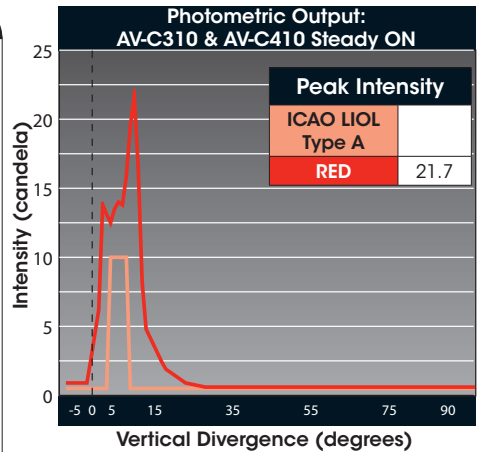
SLA (Sealed Lead Acid)  
24  
12  
Steady-on: >40  
1.4  
0.7 (with Solar Booster™)

7-stage powder-coated aluminium  
LEXAN® Polycarbonate - UV stabilized  
107 / 4¼  
Single LED Optic  
4 x 17mm holes on 200mm PCD  
470 / 18½  
13.9 / 30½  
Up to 12 years

0 to 100%, MIL-STD-810F  
22kg per square inch  
Up to 160kph  
MIL-STD-202G, Test Condition G, Method 213B  
MIL-STD202G, Test Condition B, Method 204

EN61000-6-3:1997, EN61000-6-1:1997  
ISO9001:2008  
Low Intensity Obstruction Light Type A IP68

AVLITE® is a registered trademark of Avlite Systems  
3 year warranty  
• IR Controller  
• GSM Cell-Phone Monitoring  
• GPS Synchronisation  
• IR LED  
• External ON/OFF Switch  
• External Battery Charging Port  
• Solar Booster™



**Avlite Systems**  
AUSTRALIA  
t: +61 (0)3 5977 6128

USA  
t: +1 (603) 737 1310

w: [www.avlite.com](http://www.avlite.com)  
e: [info@avlite.com](mailto:info@avlite.com)



\* Specifications subject to change or variation without notice  
 \* Subject to standard terms and conditions  
 \* Intensity setting subject to solar availability