

# ICAO Medium Intensity Type B Obstruction Light

AV-OL Series Universal AC or Universal DC Light Fixture

## Features

- Cost effective, energy efficient obstruction lighting solution
- Available in universal DC: will accept between 12-48VDC
- Available in universal AC: will accept between 110-240VAC
- Alarm contact for remote monitoring
- Light sensor for day/night operation
- LED technology reduces maintenance time and costs
- User configurable flash codes
- Provision for external hardwire synchronisation
- Optional solar powered configurations available
- Optional onboard GPS receiver for synchronisation
- Optional GSM monitoring (VDC model only)
- Optional general purpose I/O with galvanic isolation
- Optional RS422/485 communications port for monitoring

## Applications

- Medium Intensity Obstruction Light for marking obstacles greater than 45 metres in height

## Compliance

- Medium Intensity Type B Obstruction Light, ICAO Annex 14 Volume 1, 'Aerodrome Design and Operations', Sixth edition, July 2013, table 6.3



**This Avlite light fixture is a flashing, medium intensity LED obstruction light designed to comply with ICAO MIOL Type B requirements. The model can be used for marking obstacles greater than 45 metres above ground, such as telecommunication towers, wind turbines, buildings and other tall structures.**

Avlite's LED obstruction lights offer an ultra bright, energy efficient and cost effective lighting solution. The light fixture is available in two configurations, universal DC (12-48VDC) or universal AC (110-240VAC).

The advanced light optic uses a multiple, high intensity LEDs for efficient operation. The corrosion resistant, acrylic lens is specifically designed for use with LEDs to maximize light intensity and uniformity.

The light fixture incorporates internal diagnostic checking and an alarm contact for remote monitoring. The alarm relay is energised in normal operation and is released if there is an LED or power fault.

### Optional GPS Synchronisation

Avlite has utilized the latest advancements in GPS technology to develop an internal synchronisation system that can be incorporated into the lights. Using overhead satellites, multiple obstruction lights set to the same flash pattern will flash in unison.

### Optional GSM Monitoring & Control (VDC model only)

The Avlite obstruction light is available with GSM Cell-Phone Monitoring, enabling operators to remotely monitor the status of their installation. The system can also be configured to send out SMS text messages or e-mail alerts to designated operators should alarm conditions be triggered, such as low voltage or light failure.

### IR Remote Control

The IR remote is used to communicate with Avlite lighting products that have an IR sensor fitted. The remote control is used to control functions such as flash code and light intensity.

# ICAO Medium Intensity Type B Obstruction Light

AV-OL Series Universal AC or Universal DC Light Fixture

SPECIFICATIONS* *	12-48 VDC	110-240VAC
	AV-OL-IMB-12-R	AV-OL-IMB-UM-R
<b>Light Characteristics</b>		
Available colors	Red as standard. Other colors available on request	Red as standard. Other colors available on request
Effective Intensity (cd)†	Complies with ICAO MIOLB. 2000cd	Complies with ICAO MIOLB. 2000cd
Horizontal Output (degrees)	360	360
Vertical Divergence (degrees)	As per ICAO Annex 14 Volume 1, 'Aerodrome Design and Operations', Sixth edition, July 2013	As per ICAO Annex 14 Volume 1, 'Aerodrome Design and Operations', Sixth edition, July 2013
<b>Electrical Characteristics</b>		
Operating Voltage	12 - 48 VDC	110 - 240VAC 50/60Hz
Power (Average Flashing, Watts)	<11W @ 33% duty cycle	
Circuit Protection	Integrated	Integrated
Temperature Range	-40 to 80°C	-40 to 80°C
<b>Physical Characteristics</b>		
Body Material	7-stage powder-coated aluminium	7-stage powder-coated aluminium
Lens Material	Impact modified UV stabilized acrylic	Impact modified UV stabilized acrylic
Lens Diameter (mm/inches)	171 / 6¾	171 / 6¾
Lens Design	Multi LED Optic	Multi LED Optic
Mounting	200mm bolt pattern	200mm bolt pattern
Height (mm/inches)	151 / 6	151 / 6
Width (mm/inches)	230 / 9	230 / 9
Mass (kg/lbs)	5.5 / 12¼	5.8 / 12¾
Product Life Expectancy	Up to 12 years	Up to 12 years
<b>Environmental Factors</b>		
Humidity	0 to 100%, MIL-STD-810F	0 to 100%, MIL-STD-810F
Icing	22kg per square inch	22kg per square inch
Wind Speed	Up to 240kph	Up to 240kph
<b>Certifications</b>		
CE	EN61000-6-3:1997. EN61000-6-1:1997	EN61000-6-3:1997. EN61000-6-1:1997
Quality Assurance	ISO9001:2008	ISO9001:2008
Waterproof	IP67	IP67
<b>Intellectual Property</b>		
Trademarks	AVLITE® is a registered trademark of Avlite Systems	AVLITE® is a registered trademark of Avlite Systems
<b>Warranty *</b>	3 year warranty	3 year warranty
<b>Options Available</b>	<ul style="list-style-type: none"> <li>Variety of solar/battery configurations</li> <li>IR Controller</li> <li>GSM Cell-Phone Monitoring</li> <li>GPS Synchronisation</li> <li>RS422/485 communications port</li> </ul>	<ul style="list-style-type: none"> <li>IR Controller</li> <li>GPS Synchronisation</li> <li>RS422/485 communications port</li> </ul>

### HOW TO ORDER

ICAO Compliant MIOLB Type B

AV-OL-IMB-[?]-[R]-[?]-[?]

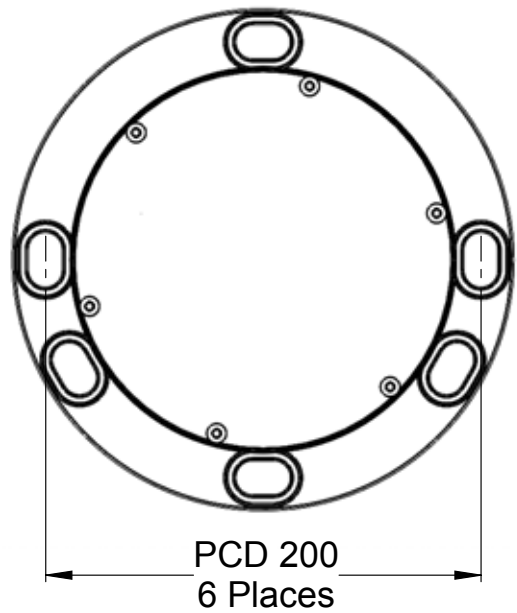
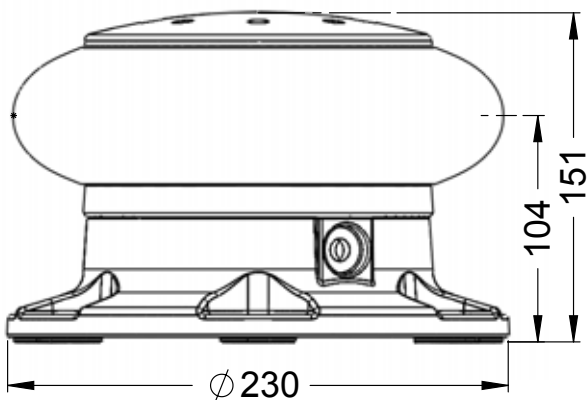
**Product No.:** \_\_\_\_\_

**Model:** \_\_\_\_\_  
 12 = 12-48 VDC  
 UM = 110-240 VAC

**Color:** \_\_\_\_\_  
 R = Red

**Monitoring & Control:** \_\_\_\_\_  
 GSM = GSM (VDC model only)  
 GPS = GPS Synchronisation  
 [blank] = No monitoring & control

**RS Communications Port:** \_\_\_\_\_  
 RS = RS communications port  
 [blank] = No RS communications port



\* Specifications subject to change or variation without notice  
 † Subject to standard terms and conditions  
 ‡ Intensity setting subject to solar availability

